

Technical Data Sheet

Date: 03/11/2022

4x32A CEE N. Panel Mount Socket Outlet

Ref. No: 3126-322-1675



Pack Unit

10



Weight

161 gr.

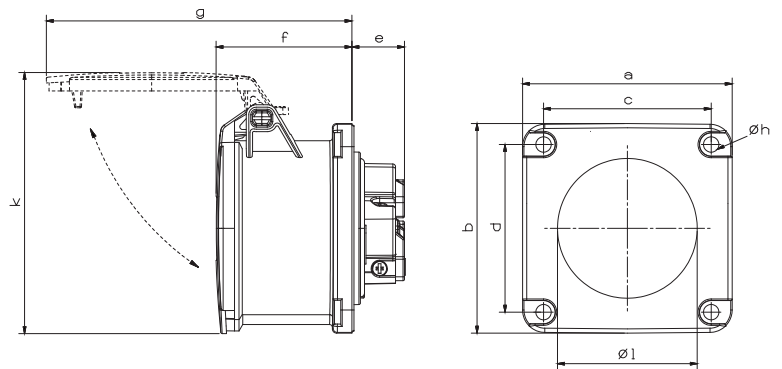


Technical Informations

Ampere	32A
Voltage	380 - 415 V. AC
Hertz	50 - 60 Hz
Protection Class	IP 44
Clock Postion	6h
Number Of Poles	4 (3P + E)
Contact Material	Brass (CuZn)
Housing Material	PA6
Connection Type	Screw
Operation Temp.	-25 / +80 (1 hour -100° C)
	(-25 / + 40 IEC 60309)

Dimensions

a	75	e	21
b	75	f	58
c	60	g	122
d	60	Øh	5,5
Cable Diameter (Min.)	2,5 mm ²	Øl	56
Cable Diameter (Max.)	10 mm ²	k	98



Different Earth Contact Positions (Clock Positions)

3126-322-1175-2h	3126-322-1675-3h	3126-322-0775-4h	3126-322-0375-5h	3126-322-1675	3126-322-0375-7h	3126-322-0975-9h	3126-322-1175-10h	3126-322-1675-11h



Tel: +90 232 880 90 01
Fax: +90 232 880 90 02



info@tpelectric.com.tr



Kemalpaşa O.S.B. 600 Sk. No:364
35730 Kemalpaşa - İZMİR / TÜRKİYE