

Technical Data Sheet

Date: 22/08/2022

230x330x140 Aluminium Enclosure (With Hinged Door)

Ref. No: 3390-815-0600



Pack Unit

1



Weight

3,159 gr.

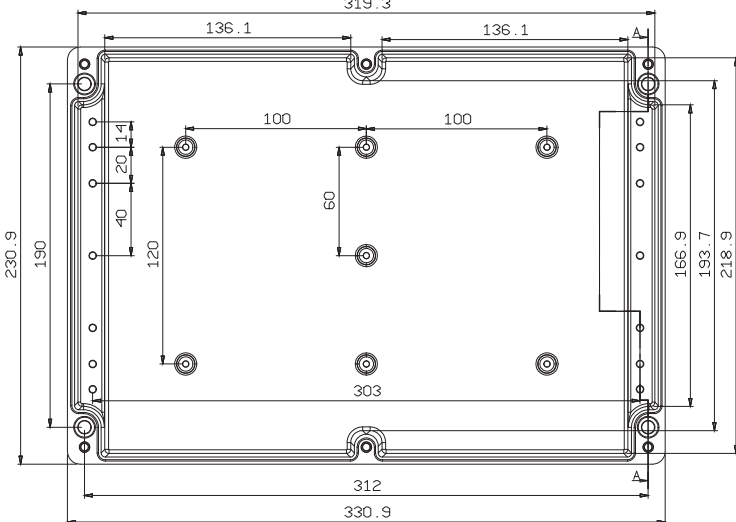
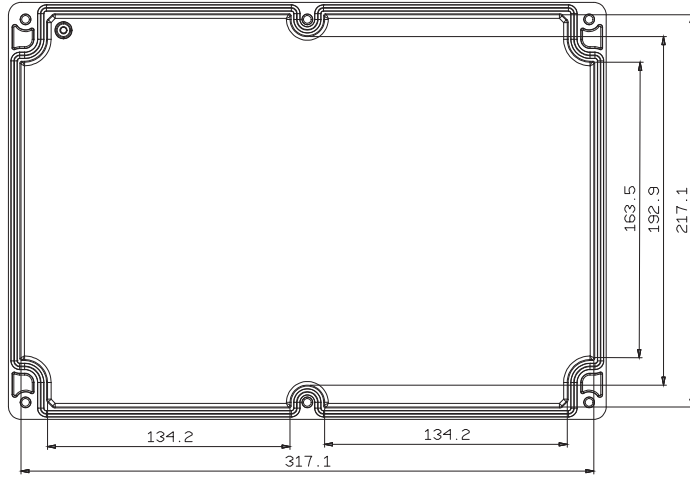


Technical Informations

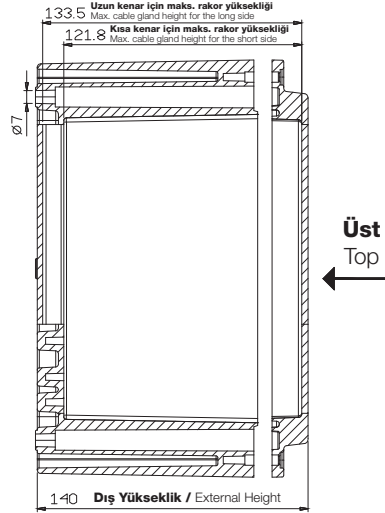
Protection Class	IP 67
Housing Material	Aluminum Injection
Screw Material	Stainless Steel INOX
Liquid Foaming	<input checked="" type="checkbox"/>
Earth Contact On Base	<input checked="" type="checkbox"/>

Dimensions

Kapak / Cover



Gövde / Housing



Tel: +90 232 880 90 01
Fax: +90 232 880 90 02



info@tpelectric.com.tr



Kemalpaşa O.S.B. 600 Sk. No:364
35730 Kemalpaşa - İZMİR / TÜRKİYE