

# Technical Data Sheet

Date: 04/26/2022

## 1x16A IP 68 Connector

Ref. No: 3101-370-0900



**Pack Unit**

15



**Weight**

130 gr.



## Technical Informations

<b>Version</b>	German (DIN)
<b>Ampere</b>	16A
<b>Voltage</b>	250 V. AC
<b>Protection Class</b>	IP 68
<b>Number Of Poles</b>	3 (2P + E)
<b>Contact Carrier</b>	PC
<b>Plastic Material</b>	Thermoplastic Elastomer
<b>Connection Type</b>	Screw
<b>Operation Temperature</b>	-15 / +70 (±2)



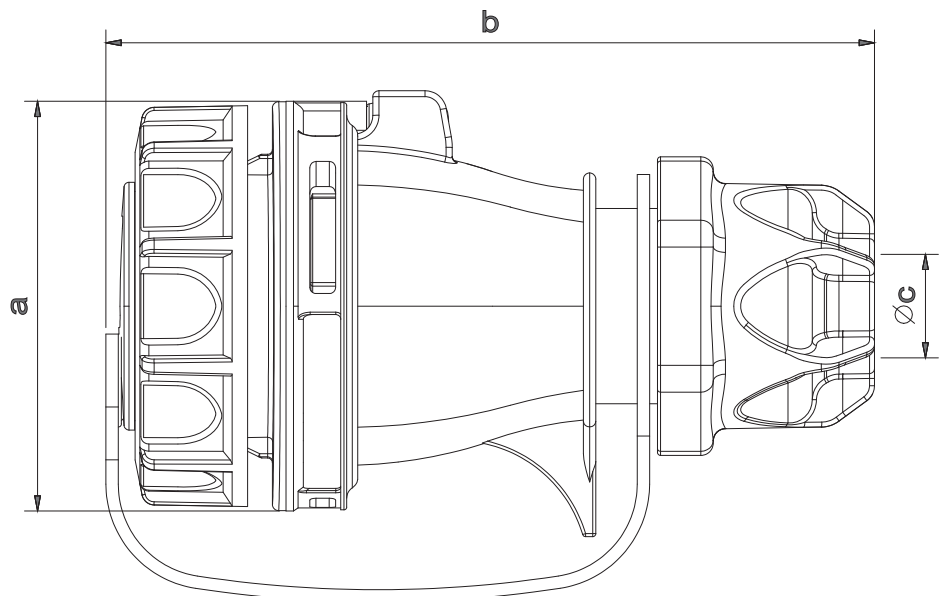
Compliance with European Union 2011/65 /EU RoSH Directives



TS IEC 60884-1 / TS 40 NATIONAL

## Dimensions

<b>a</b>	65
<b>b</b>	124
<b>Øc</b>	6-16
<b>Cable Dia. (mm<sup>2</sup>)</b>	1-2x2,5



Tel: +90 232 880 90 01  
Fax: +90 232 880 90 02



info@tpelectric.com.tr



Kemalpaşa O.S.B. 600 Sk. No:364  
35730 Kemalpaşa - İZMİR / TÜRKİYE