

Technical Data Sheet

Date: 04/26/2022

Socket + Socket

Ref. No: 3201-125-0601



Pack Unit

5



Weight

200 gr.



Technical Informations

Version	German (DIN)
Ampere	16A
Voltage	250 V. AC
Protection Class	IP 54
Contact Carrier	PC
Housing Material	Polypropylene
Cover Material	ABS
Cable Gland Material	Thermoplastic Elastomer
Connection Type	Screw
Operation Temperature	-15 / +70 (±2)

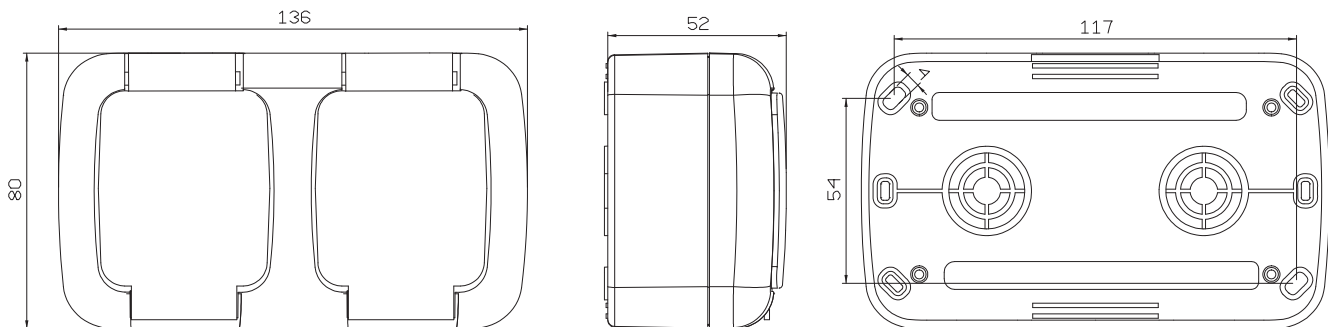


Compliance with European Union 2011/65 /EU RoSH Directives

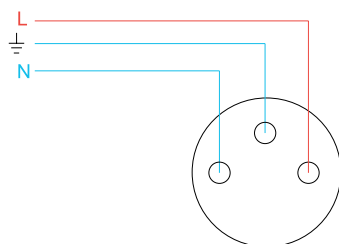


TS IEC 60884-1 / TS 40 NATIONAL

Dimensions



Wiring Diagram



Tel: +90 232 880 90 01
Fax: +90 232 880 90 02



info@tpelectric.com.tr



Kemalpaşa O.S.B. 600 Sk. No:364
35730 Kemalpaşa - İZMİR / TÜRKİYE