

Technical Data Sheet

Date: 04/26/2022

Two Way Switch + Socket

Ref. No: 3201-102-0601



Pack Unit

5



Weight

200 gr.



Technical Informations

Version	German (DIN)
Amp. (Switch / Socket)	10A / 16A
Voltage	250 V. AC
Protection Class	IP 54
Contact Carrier	PC
Housing Material	Polypropylene
Switch & Cover Mat.	ABS
Cable Gland Material	Thermoplastic Elastomer
Connection Type	Screw
Operation Temperature	-15 / +70 (±2)

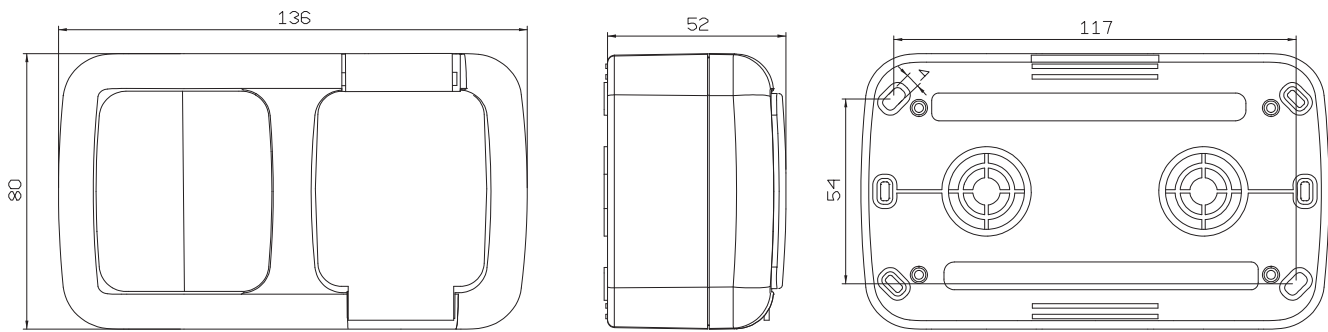


Compliance with European Union 2011/65 /EU RoSH Directives



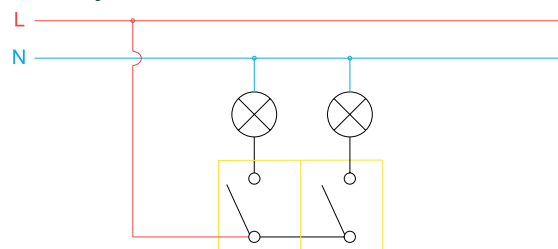
TS IEC 60884-1 / TS 40 NATIONAL

Dimensions

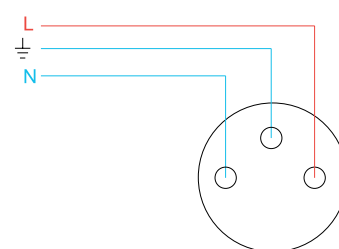


Wiring Diagram

Two Way Switch



Socket



Tel: +90 232 880 90 01
Fax: +90 232 880 90 02



info@tpelectric.com.tr



Kemalpaşa O.S.B. 600 Sk. No:364
35730 Kemalpaşa - İZMİR / TÜRKİYE