

Technical Data Sheet

Date: 03/11/2022

5x32A CEE N. Surface Mount App. Inlet

Ref. No: 3107-312-1600



Pack Unit

5



Weight

290 gr.

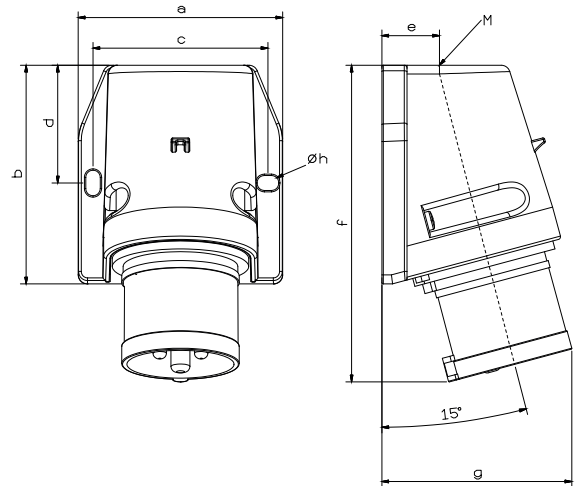


Technical Informations

Ampere	32A
Voltage	380 - 415 V. AC
Hertz	50 - 60 Hz
Protection Class	IP 44
Clock Postion	6h
Number Of Poles	5 (3P + N + E)
Contact Material	Brass (CuZn)
Housing Material	PA6
Connection Type	Screw
Operation Temp.	-25 / +80 (1 hour -100° C)
	(-25 / + 40 IEC 60309)

Dimensions

a	96	e	26
b	102	f	146
c	84	g	94
d	56	Øh	5,3
Cable Diameter (Min.)	2,5 mm ²	M	M32x1,5
Cable Diameter (Max.)	10 mm ²		



Different Earth Contact Positions (Clock Positions)

3107-312-1100-2h	3107-312-1600-3h	3107-312-0700-4h	3107-312-0300-5h	3107-312-1600	3107-312-0300-7h	3107-312-0900-9h	3107-312-1600-11h



Tel: +90 232 880 90 01
Fax: +90 232 880 90 02



info@tpelectric.com.tr



Kemalpaşa O.S.B. 600 Sk. No:364
35730 Kemalpaşa - İZMİR / TÜRKİYE