

Technical Data Sheet

Date: 03/11/2022

5x16A CEE N. Surface Mount App. Inlet

Ref. No: 3105-312-1600



Pack Unit

5



Weight

230 gr.

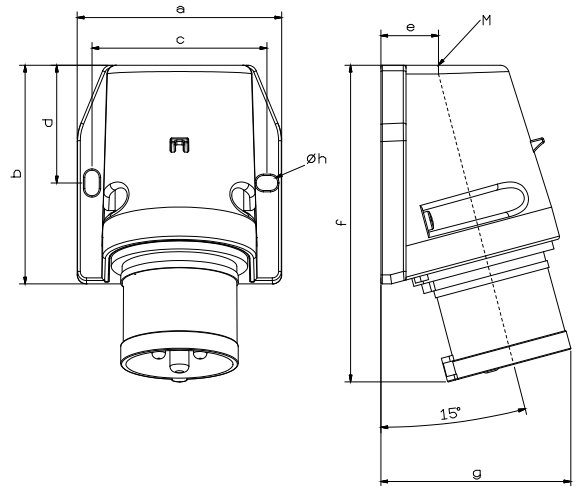


Technical Informations

Ampere	16A
Voltage	380 - 415 V. AC
Hertz	50 - 60 Hz
Protection Class	IP 44
Clock Postion	6h
Number Of Poles	5 (3P + N + E)
Contact Material	Brass (CuZn)
Housing Material	PA6
Connection Type	Screw
Operation Temp.	-25 / +80 (1 hour -100° C)
	(-25 / + 40 IEC 60309)

Dimensions

a	88	e	22
b	88	f	123
c	76	g	84
d	48,5	Øh	5,3
Cable Diameter (Min.)	1 mm ²	M	M25x1,5
Cable Diameter (Max.)	4 mm ²		



Different Earth Contact Positions (Clock Positions)

 >50V 300-500 Hz 2h	 220/380V 50 Hz 250/440V 60Hz 3h	 57/100V 75/130V 50-60 Hz 4h	 347/600V 400/690V 50-60 Hz 5h	 200/345V 240/415V 50-60 Hz 6h	 277/480V 288/500V 50-60 Hz 7h	 120/208V 144/250V 50-60 Hz 9h	 250/440V 265/460V 60 Hz 11h
3105-312-1100-2h	3105-312-1600-3h	3105-312-0700-4h	3105-312-0300-5h	3105-312-1600	3105-312-0300-7h	3105-312-0900-9h	3105-312-1600-11h



Tel: +90 232 880 90 01
Fax: +90 232 880 90 02



info@tpelectric.com.tr



Kemalpaşa O.S.B. 600 Sk. No:364
35730 Kemalpaşa - İZMİR / TÜRKİYE