

Technical Data Sheet

Date: 03/11/2022

3x32A CEE Norm Connector

Ref. No: 3124-304-0901



Pack Unit

10



Weight

210 gr.

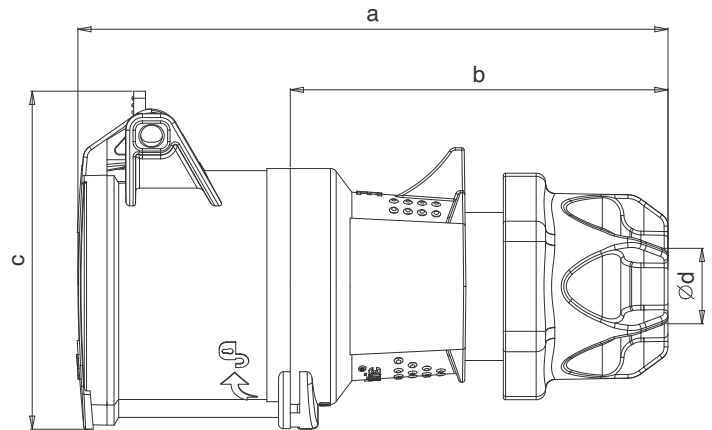


Technical Informations


Ampere	32A
Voltage	200 - 250 V. AC
Hertz	50 - 60 Hz
Protection Class	IP 44
Clock Postion	6h
Number Of Poles	3 (2P + E)
Contact Material	Brass (CuZn)
Housing Material	PA6
Connection Type	Screw
Operation Temp. (-25 / + 40 IEC 60309)	-25 / +80 (1 hour -100° C)

Dimensions

a	156
b	100
c	91
Ød	11-20,5
Cable Diameter (Min.)	2,5 mm ²
Cable Diameter (Max.)	6 mm ²



Different Earth Contact Positions (Clock Positions)

 >50V 300-500 Hz 2h 3124-304-1101-2h	 100-130V 50-60 Hz 4h 3124-304-0701-4h	 200-250V 50-60 Hz 6h 3124-304-0901	 480-500V 50-60 Hz 7h 3124-304-0301-7h	 380-415V 50-60 Hz 9h 3124-304-1601-9h
---	---	--	---	---



Tel: +90 232 880 90 01
Fax: +90 232 880 90 02



info@tpelectric.com.tr



Kemalpaşa O.S.B. 600 Sk. No:364
35730 Kemalpaşa - İZMİR / TÜRKİYE