

Technical Data Sheet

Date: 03/11/2022

4x16A CEE N. Surface Mount Socket Outlet

Ref. No: 3122-307-1600



Pack Unit

5



Weight

227 gr.

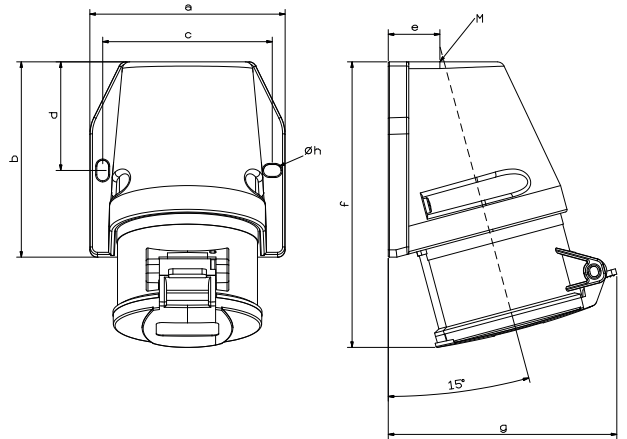


Technical Informations

Ampere	16A
Voltage	380 - 415 V. AC
Hertz	50 - 60 Hz
Protection Class	IP 44
Clock Postion	6h
Number Of Poles	4 (3P + E)
Contact Material	Brass (CuZn)
Housing Material	PA6
Connection Type	Screw
Operation Temp. (-25 / + 40 IEC 60309)	-25 / +80 (1 hour -100° C)

Dimensions

a	88	e	22
b	88	f	128
c	76	g	96
d	48,5	Øh	5,3
Cable Diameter (Min.)	1 mm ²	M	M25x1,5
Cable Diameter (Max.)	2,5 mm ²		



Different Earth Contact Positions (Clock Positions)

3122-307-1100-2h	3122-307-1600-3h	3122-307-0700-4h	3122-307-0300-5h	3122-307-1600	3122-307-0300-7h	3122-307-0900-9h	3122-307-1100-10h	3122-307-1600-11h



Tel: +90 232 880 90 01
Fax: +90 232 880 90 02



info@tpelectric.com.tr



Kemalpaşa O.S.B. 600 Sk. No:364
35730 Kemalpaşa - İZMİR / TÜRKİYE