

Technical Data Sheet

Date: 03/11/2022

3x16A CEE N. Surface Mount App. Inlet

Ref. No: 3120-312-0900



Pack Unit

10



Weight

202 gr.

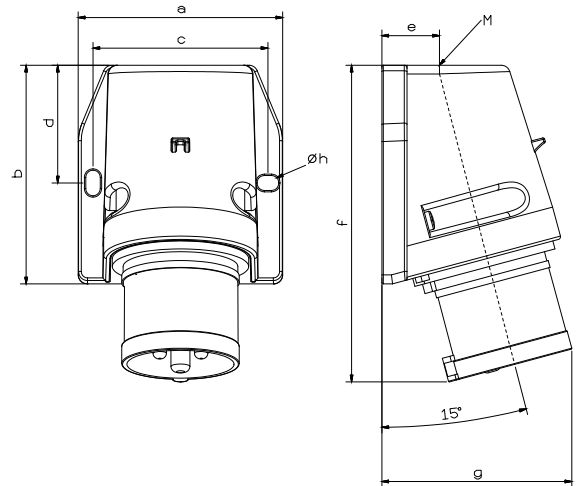


Technical Informations


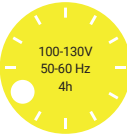



Ampere	16A
Voltage	200 - 250 V. AC
Hertz	50 - 60 Hz
Protection Class	IP 44
Clock Position	6h
Number Of Poles	3 (2P + E)
Contact Material	Brass (CuZn)
Housing Material	PA6
Connection Type	Screw
Operation Temp.	-25 / +80 (1 hour -100° C)
	(-25 / + 40 IEC 60309)

Dimensions

a	75	e	20
b	80	f	116
c	64	g	70
d	43	Øh	5,3
Cable Diameter (Min.)	1 mm ²	M	M20x1,5
Cable Diameter (Max.)	4 mm ²		



Different Earth Contact Positions (Clock Positions)

 >50V 300-500 Hz 2h 3120-312-1100-2h	 100-130V 50-60 Hz 4h 3120-312-0700-4h	 200-250V 50-60 Hz 6h 3120-312-0900	 480-500V 50-60 Hz 7h 3120-312-0300-7h	 380-415V 50-60 Hz 9h 3120-312-1600-9h
---	---	--	---	---



Tel: +90 232 880 90 01
Fax: +90 232 880 90 02



info@tpelectric.com.tr



Kemalpaşa O.S.B. 600 Sk. No:364
35730 Kemalpaşa - İZMİR / TÜRKİYE